

HSE in process Quality in surface

ENCLOSED BLASTING & RECYCLING OF BLAST MEDIA

- LOW NOISE AND NO VIBRATION
- NO SHEETING OR CLEANUP
- SURFACE TREATMENT IN PARALLEL WITH ALL OTHER WORK
- FROM Sa 3, 120 μm TO SWEEP BLAST 50 μm
- SIGNIFICANTLY REDUCED GRIT CONSUMPTION
- WASTE MANAGEMENT



ECONOMY / REDUCED REFURBISHMENT COSTS

- Feathered edges when spot blasting enables a high quality repair
- No flying grit or dust means a clean operation with no sheeting and no cleanup
- Other work disciplines are not affected and can work in parallel with PINOVO® enclosed blasting tools
- Recycling the blast media means significantly reduced blast media consumption (>75–90%)
- The PINOVO® tools leave a clean and dry surface which is ready to be recoated immediately after blasting
- No consequential damages on other tools and machinery
- 30% more efficient than mechanical surface treatment methods



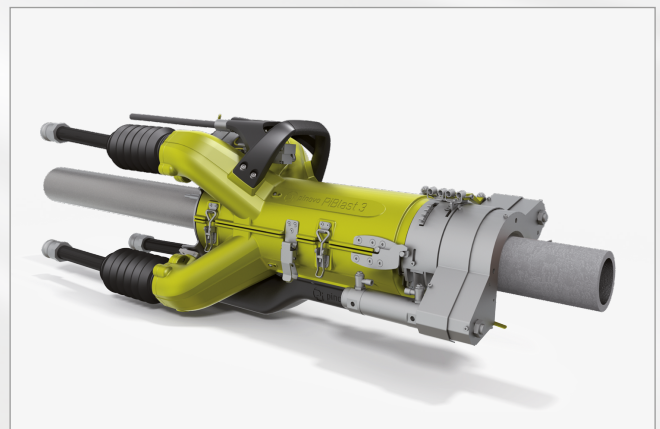
HSE / LOW NOISE AND NO VIBRATION

- Low noise reduces the risk of hearing impairment
- No flying grit or dust reduces the risk of eye injuries
- No vibrations in tools eliminates the risk of hand-arm vibration syndrome
- Lesser and more comfortable personal protective equipment
- Low weight, ergonomic solutions
- Integrated waste management system enables a compact waste collection
- Reduced carbon foot print



APPLICATIONS / FOR SPOTS AND FULL BLASTING

- Ideal for surface treatment in line with other work disciplines
- Surface quality from Sa 2½ to Sa 3, and roughness from sweep blast to 120 µm
- Spot and full blasting of smaller areas and 2" to 8" pipes
- The system is ATEX certified and used by the oil & gas industry
- Ideal for control rooms and areas with sensitive equipment
- Work radius up to 50 m (depending on the conditions)
- A wide range of tools and adapters enables blasting of most geometries



ABOUT PINOVO

Pinovo AS develops and supplies new solutions for surface treatment and maintenance of industrial installations. The technology provides a dust free alternative, low noise emission and superior surface quality.

The company works in an international market and cooperates with major companies within the Oil & Energy sectors.

Pinovo business segments

- OIL & GAS ON & OFFSHORE
- MARITIME INDUSTRY
- INDUSTRIAL

Certificates



ISO 9001 CERTIFIED COMPANY

www.pinovo.com

Ph.: +47 907 55 500 / Fax: +47 917 55 500 / E-mail: info@pinovo.com

MAIN OFFICE:

Pinovo AS
Bekkjarviksundet 1
NO-5397 Bekkjarvik

BERGEN / VISITING OFFICE:

Pinovo AS
Sanddalsringen 3
NO-5225 Bergen

POSTAL ADDRESS:

Pinovo AS
P.O. Box 154
NO-5828 Bergen